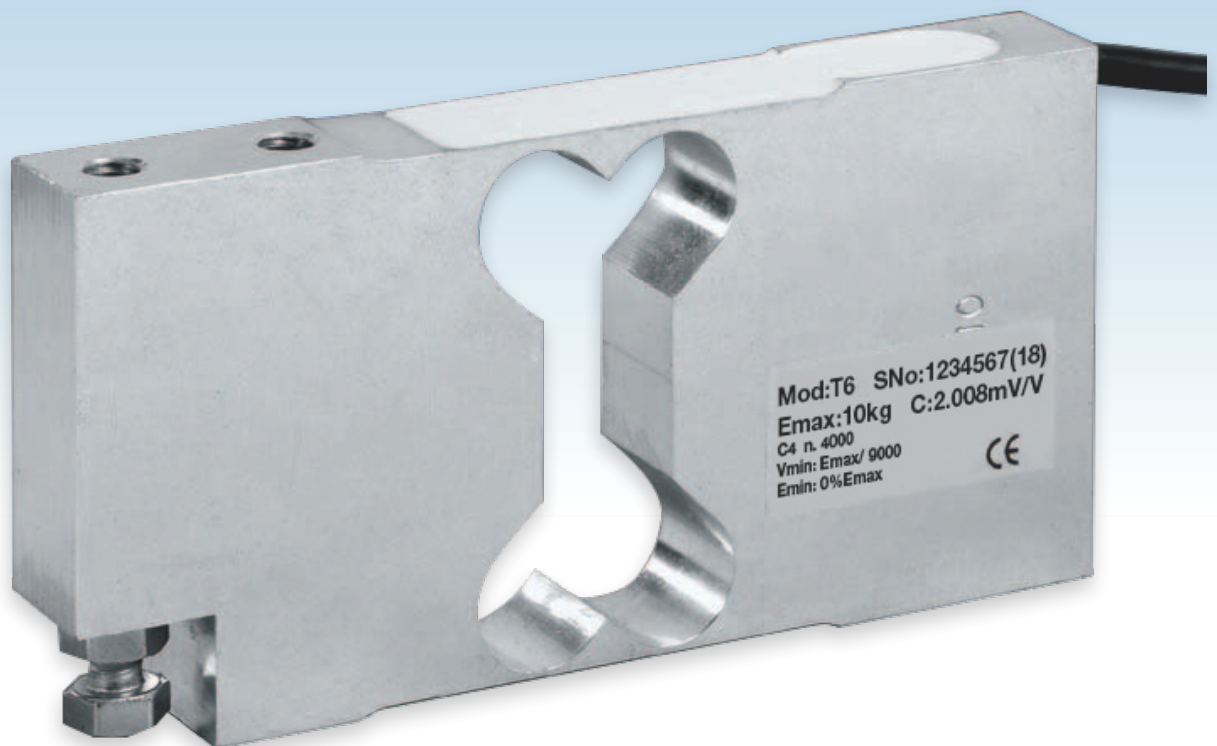


# HIGH ACCURACY SINGLE POINT LOAD CELL WITH INTEGRAL OVERLOAD PROTECTION

capacities 3kg - 100kg



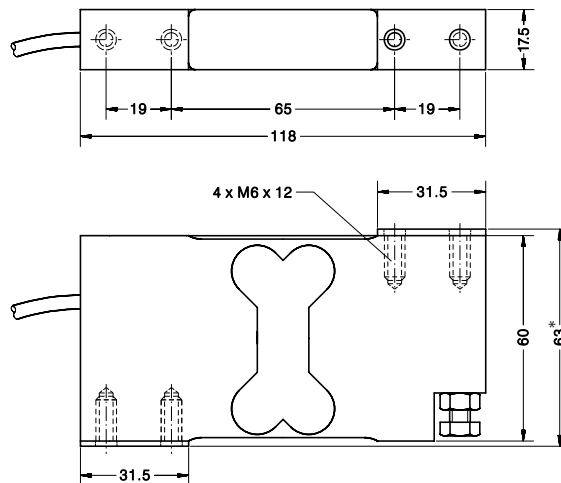
The T6 load cell is specifically designed as a high accuracy, reliable and simple solution for dynamic applications such as multi-head weighers, check weighers and filling machines.

Its integral overload stop offers excellent protection against accidental damage from excessive vertical forces. The aluminium alloy construction, wide operating temperature range and IP66 sealing make it ideally suited for use in a range of different environmental conditions. It exhibits high accuracy with off-centre loads.

- High quality aluminium alloy load sensor
- High accuracy with off-centre loads
- Potted and silicone sealed to IP66
- Wide operating temperature range
- 4000 divisions performance
- Integral overload stop
- 2 year warranty
- 500 x 500mm maximum platform size (load cell placed centrally under the platform)

# T6

technical specification...



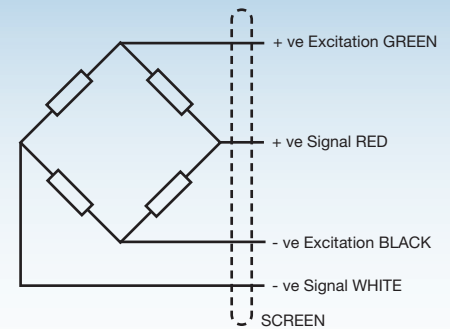
All dimensions in mm

\* Dimension 63 is achieved when the 1.5mm thick upper and lower spacers (size 31.5 x 17.5) are used

## T6 Load Cell

	Load cell specification	Units
Load Cell Capacity ( $E_{max}$ )	5, 7.5, 10, 15, 20, 35	kg
Rated Output ( $S_n$ )	2	mV/V $\pm$ 10 %
Combined Error	$< \pm 0.013$	% $S_n$
Non-repeatability	$< \pm 0.01$	% $S_n$
Minimum load cell interval ( $v_{min}$ ) = $E_{max} / Y$	$E_{max} / 9000$	kg
Creep (30 minutes)	$< \pm 0.012$	% $S_n$
Temperature Effect on Zero Balance	$< \pm 0.002$	% $S_n / ^\circ C$
Temperature Effect on Span	$< \pm 0.0012$	% $S_n / ^\circ C$
Compensated Temperature Range	-10 to +40	$^\circ C$
Operating Temperature Range	-20 to +70	$^\circ C$
Safe Overload	150	% $E_{max}$ *
Zero Balance	$< \pm 2$	% $S_n$
Input Resistance	400	$\Omega \pm 20$
Output Resistance	350	$\Omega \pm 3$
Insulation Resistance	$> 5000$	M $\Omega$ @ 100V
Recommended Supply Voltage	5-15	V
Maximum Supply Voltage	15	V
Environmental Protection	IP66	-
Maximum deflection at $E_{max}$	0.2 - 0.4	mm
Cable Length	5	m
Cable Material	PVC	-
Nominal Shipping Weight	0.5	kg

\* Load limit applies to central loads only. Load limit for off-centre loads will be lower.



### Electrical Connections

Via 4 core, 4mm diameter, screened PVC cable.  
Screen not connected electrically to load cell.

### Construction

Load cell manufactured from high quality aluminium alloy

DISTRIBUTED BY:



## THAMES SIDE SENSORS LTD

Unit 10, io Trade Centre, Deacon Way, Reading, Berkshire RG30 6AZ, UK

tel: +44 (0) 118 941 1387

fax: +44 (0) 118 941 2004

sales@thames-side.co.uk

www.thames-side.com



Issue: T6.02.20

Our policy is one of continuous product enhancement. We therefore reserve the right to incorporate technical modifications without prior notification.