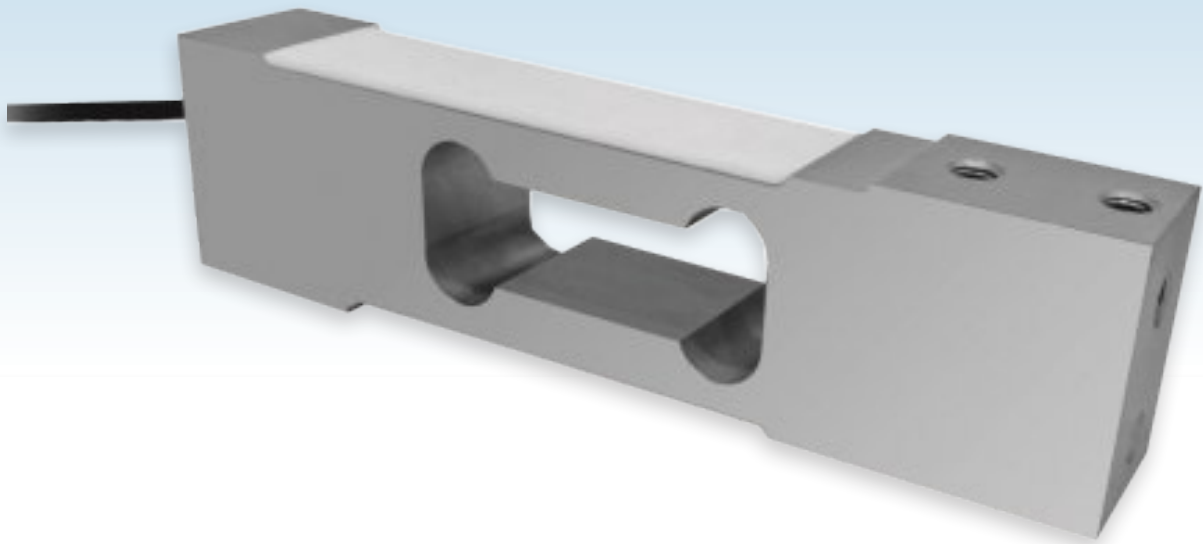


# ALUMINIUM SINGLE POINT LOAD CELL

capacities 3kg - 100kg



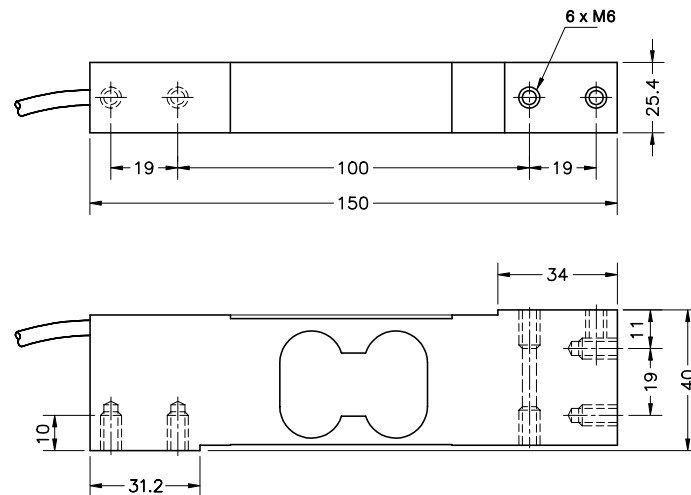
This double bending beam single point load cell is manufactured from high quality aluminium alloy. Its design allows for high accuracy weight measurement with off-centre loads. It's potted and sealed to IP66.

Typical applications include: single point platforms up to 400 x 400mm in size, small buckets and hoppers supported by a single load cell, small bagging & dosing machines as well as filling scales.

- High quality aluminium alloy load sensor
- High accuracy with off-centre loads
- Potted and sealed to IP66
- 3000 divisions performance
- 2 year warranty
- 400 x 400mm maximum platform size (load cell placed centrally under the platform)

# T5

technical specification...

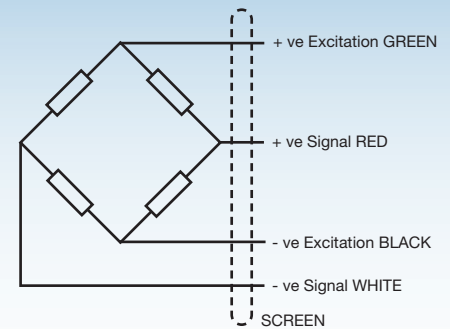


All dimensions in mm

## T5 Load Cell

	Load cell specification	Units
Load Cell Capacity ( $E_{max}$ )	3, 5, 8, 10, 15, 20, 30, 50, 75, 100	kg
Rated Output ( $S_n$ )	2	mV/V $\pm$ 10 %
Combined Error	$< \pm 0.017$	% $S_n$
Non-repeatability	$< \pm 0.01$	% $S_n$
Minimum load cell interval ( $v_{min}$ ) = $E_{max} / Y$	$E_{max} / 10000$	kg
Creep (30 minutes)	$< \pm 0.016$	% $S_n$
Temperature Effect on Zero Balance	$< \pm 0.002$	% $S_n / ^\circ C$
Temperature Effect on Span	$< \pm 0.0012$	% $S_n / ^\circ C$
Compensated Temperature Range	-10 to +40	$^\circ C$
Operating Temperature Range	-20 to +70	$^\circ C$
Safe Overload	150	% $E_{max}$ *
Ultimate Overload	200	% $E_{max}$ *
Zero Balance	$< \pm 2$	% $S_n$
Input Resistance	400	$\Omega \pm 20$
Output Resistance	350	$\Omega \pm 3$
Insulation Resistance	$> 5000$	M $\Omega$ @ 100V
Recommended Supply Voltage	5-15	V
Maximum Supply Voltage	15	V
Environmental Protection	IP66	-
Maximum deflection at $E_{max}$	0.3 - 0.5	mm
Cable Length	3	m
Cable Material	PVC	-
Nominal Shipping Weight	0.5	kg

\* Load limit applies to central loads only. Load limit for off-centre loads will be lower.



### Electrical Connections

Via 4 core, 4mm diameter, screened PVC cable.  
Screen not connected electrically to load cell.

### Construction

Load cell manufactured from high quality aluminium alloy

DISTRIBUTED BY:



### THAMES SIDE SENSORS LTD

Unit 10, io Trade Centre, Deacon Way,  
Reading, Berkshire RG30 6AZ, UK

tel: +44 (0) 118 941 1387

fax: +44 (0) 118 941 2004

sales@thames-side.co.uk

www.thames-side.com



Issue: T5.02.20

Our policy is one of continuous product enhancement. We therefore reserve the right to incorporate technical modifications without prior notification.