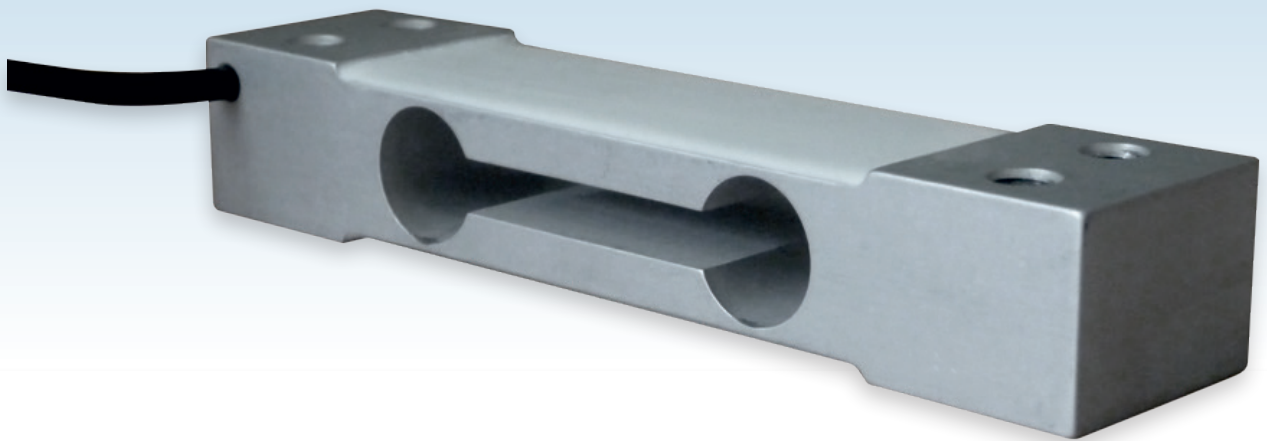


ALUMINIUM SINGLE POINT LOAD CELL

capacities 5kg - 50kg



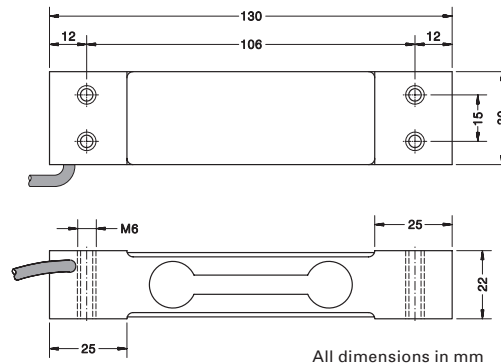
This double bending beam single point load cell is manufactured from high quality aluminium alloy. Its design allows for high accuracy weight measurement with off-centre loads. It's potted and sealed to IP66.

Typical applications include: single point platforms up to 350 x 350mm in size, small buckets and hoppers supported by a single load cell, small bagging & dosing machines as well as filling scales.

- High quality aluminium alloy load sensor
- High accuracy with off-centre loads
- Potted and silicone sealed to IP66
- Wide operating temperature range
- 3000 divisions performance
- 2 year warranty
- 350 x 350mm maximum platform size (load cell placed centrally under the platform)

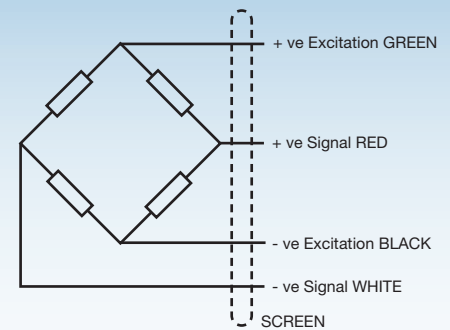
T2

technical specification...



T2 Load Cell

	Load cell specification	Units
Load Cell Capacity (E_{max})	5, 8, 10, 15, 20, 30, 50	kg
Rated Output (S_n)	2	mV/V \pm 10 %
Combined Error	$< \pm 0.017$	% S_n
Non-repeatability	$< \pm 0.01$	% S_n
Minimum load cell interval (v_{min})	5kg capacity	0.7
	8kg capacity	1
	10kg capacity	1.3
	15kg capacity	1.9
	20kg capacity	2.5
	30kg capacity	3.8
	50kg capacity	6.3
Creep (30 minutes)	$< \pm 0.016$	% S_n
Temperature Effect on Zero Balance	$< \pm 0.002$	% $S_n / ^\circ C$
Temperature Effect on Span	$< \pm 0.0012$	% $S_n / ^\circ C$
Compensated Temperature Range	-10 to +40	$^\circ C$
Operating Temperature Range	-20 to +70	$^\circ C$
Safe Overload	150	% E_{max} *
Ultimate Overload	200	% E_{max} *
Zero Balance	$< \pm 2$	% S_n
Input Resistance	400	$\Omega \pm 20$
Output Resistance	350	$\Omega \pm 3$
Insulation Resistance	> 5000	M Ω @ 100V
Recommended Supply Voltage	5-15	V
Maximum Supply Voltage	15	V
Environmental Protection	IP66	-
Maximum deflection at E_{max}	0.3 - 0.5	mm
Cable Length	3	m
Cable Material	PVC	-
Nominal Shipping Weight	0.5	kg



Electrical Connections

Via 4 core, 4mm diameter, screened PVC cable.
Screen not connected electrically to load cell.

Construction

Load cell manufactured from high quality aluminium alloy

* Load limit applies to central loads only. Load limit for off-centre loads will be lower.

DISTRIBUTED BY:



THAMES SIDE SENSORS LTD

Unit 10, io Trade Centre, Deacon Way,
Reading, Berkshire RG30 6AZ, UK

tel: +44 (0) 118 941 1387

fax: +44 (0) 118 941 2004

sales@thames-side.co.uk

www.thames-side.com



Issue: T2.02.20

Our policy is one of continuous product enhancement. We therefore reserve the right to incorporate technical modifications without prior notification.