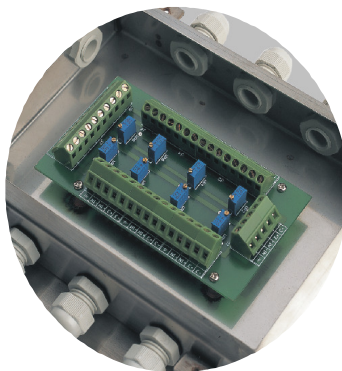
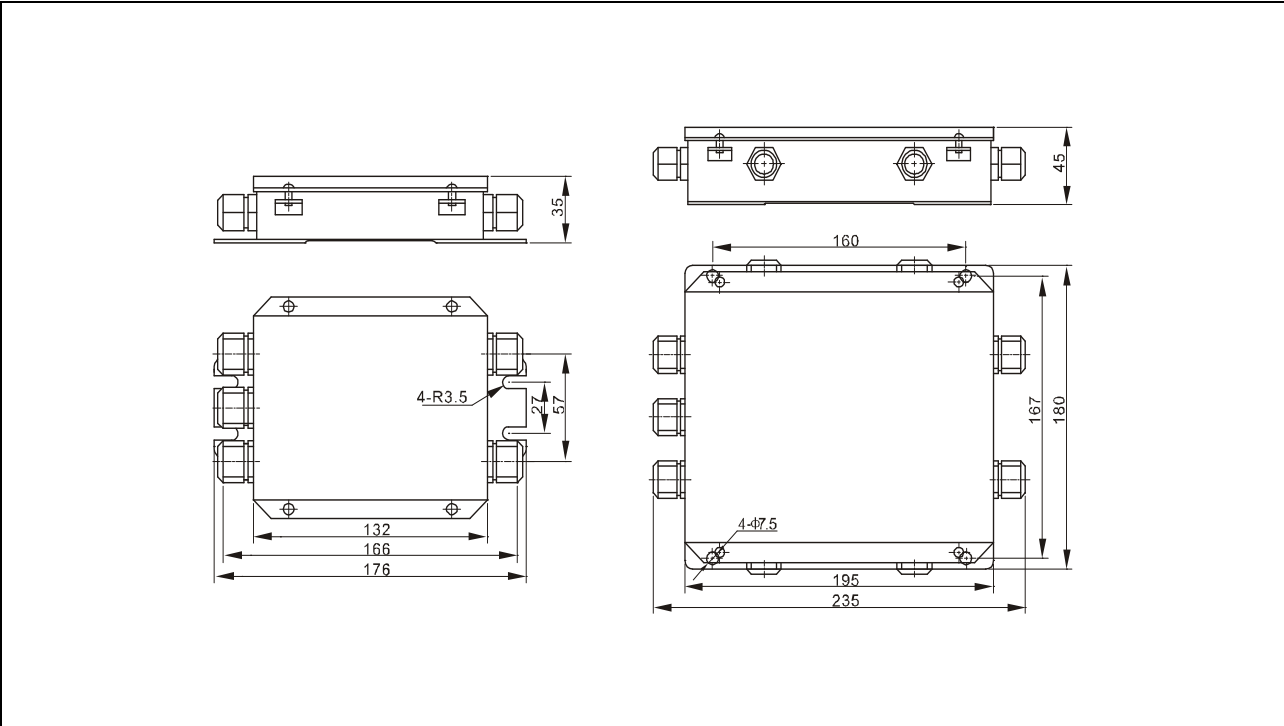


Junction box

STJB type junction box is a necessary part to connect loadcells and indicator in weighing systems. It is able to connect four, six and eight route resistance strain loadcells, and to adjust the unbalance output of loadcells. It makes the weighing system higher precision.



STENSOR B.V.
Meer en Duin 64b - 2163 HC Lisse
Phone : +31(0)88 4224420 – Fax : +31(0)88 4224421
www.stensor.com – info@stensor.com