

## T-End Foot, Ball-In-Cup, and Rod End Bearings

### FEATURES

- **T-END FOOT**
  - Self-leveling
  - Low profile
  - Stainless steel
  - Anti-vibration
  - Easy installation
- **BALL-IN-CUP**
  - Hopper weighing
  - Self-aligning
  - Reduces side load effects
  - Complements load cell
  - Stainless steel option
- **ROD END BEARINGS**
  - Self-aligning
  - High grade steel
  - Brass or bronze insert
  - Stainless steel option
  - Metric and imperial sizes

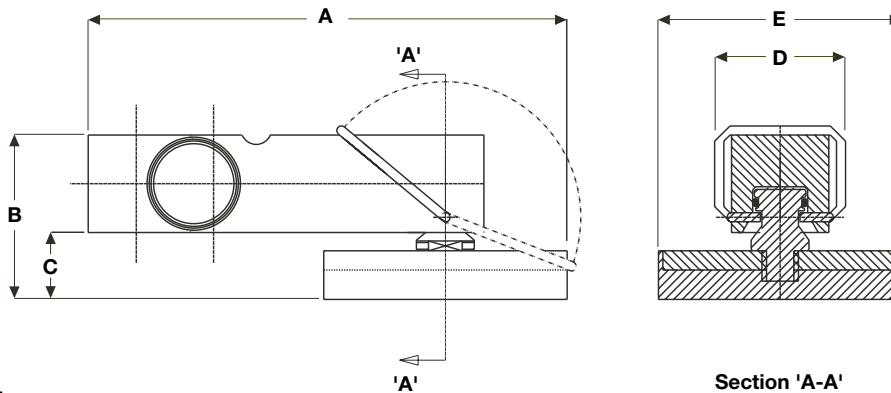


### T-END MOUNTING FEET

Tedea-Huntleigh T-End Mounting Feet are ideal for platform use where a number of load cells are used together. The stainless steel construction with the inert rubber foot makes the assembly impervious to most industrial chemicals and ideal for harsh environments. A food grade rubber option is also available.

They must be used with the appropriate load cells, which are current matched and specially machined to accept T-End accessories. It is recommended to order load cells and T-End Mounting Feet together.

### DIMENSIONS in millimeters



- Note:**
1. All dimensions in mm
  2. A mounting foot adapter is available which increases the heights 'B' & 'C' by 7 mm (for standard shear beams)

Load Cell Type		3410			3510	
Capacity		250–4000 lbs	500–1000 kg	2000 kg	300–2000 kg	5000 kg
Both T-foot versions	A	157.4	157.4	157.4	157.4	202.4
	D	43	43	43	43	57
	ØE	80	80	80	80	100
Fixed height foot	B	52	52	58	54	77.5
	C	22	22	22	22	29.5
Adjustable height foot	B low	58	58	64	60	-
	B high	70	70	76	72	-
	C low	28	28	28	28	-
	C high	40	40	40	40	-

### T-End Foot, Ball-In-Cup, and Rod End Bearings

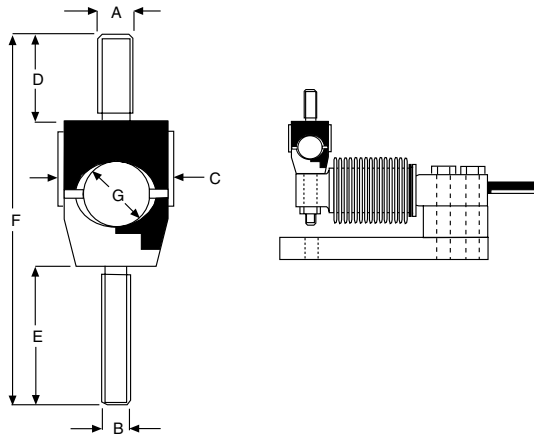
#### BALL-IN-CUP

Tedea-Huntleigh Ball-in-Cup arrangement is a useful addition to the Model 355 load cell. It provides a flexible joint to permit limited movement of a silo due to external factors, such as temperature fluctuations.

Base plate, mounting plate, and bolts are optional extras.

A low cost accessory which could easily be adapted to form a pivot point to work in conjunction with the 355 CellMate™, for less demanding applications.

#### DIMENSIONS in millimeters



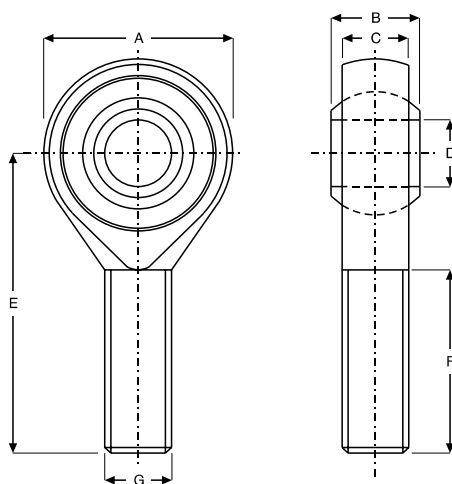
LOAD CELL TYPE	355
MAX. CAPACITY (kg)	500
A Thread	M10-1.5
B Thread	M8-1.25
C Diameter	33
D Length	25
E Length	40
F Overall Length	106
G Ball Diameter	19.0

#### ROD END BEARINGS

Tedea-Huntleigh offers a selection of rod end bearings to complement the Model 601, 616, and 620 load cells. These fittings permit the suspension of tension load cells for numerous applications. Offered in both metric and imperial sizes, many are available ex-stock.

Tedea-Huntleigh strongly recommends that an additional suspension line is provided in parallel to the load cell, when safety is paramount.

#### DIMENSIONS in millimeters



	THREAD TYPE (G)			
	M12-1.75	M16-2	M24-2	1/2"-20 UNF
A Width	34	42	60	29
B Thickness	16	21	31	12.7
C Thickness	12	15	22	10.3
D Diameter	12	16	25	9.6
E Length	52	66	94	49
F Length	32	39	55	32

## Disclaimer

ALL PRODUCTS, PRODUCT SPECIFICATIONS AND DATA ARE SUBJECT TO CHANGE WITHOUT NOTICE.

Vishay Precision Group, Inc., its affiliates, agents, and employees, and all persons acting on its or their behalf (collectively, "VPG"), disclaim any and all liability for any errors, inaccuracies or incompleteness contained herein or in any other disclosure relating to any product.

The product specifications do not expand or otherwise modify VPG's terms and conditions of purchase, including but not limited to, the warranty expressed therein.

VPG makes no warranty, representation or guarantee other than as set forth in the terms and conditions of purchase. **To the maximum extent permitted by applicable law, VPG disclaims (i) any and all liability arising out of the application or use of any product, (ii) any and all liability, including without limitation special, consequential or incidental damages, and (iii) any and all implied warranties, including warranties of fitness for particular purpose, non-infringement and merchantability.**

Information provided in datasheets and/or specifications may vary from actual results in different applications and performance may vary over time. Statements regarding the suitability of products for certain types of applications are based on VPG's knowledge of typical requirements that are often placed on VPG products. It is the customer's responsibility to validate that a particular product with the properties described in the product specification is suitable for use in a particular application. You should ensure you have the current version of the relevant information by contacting VPG prior to performing installation or use of the product, such as on our website at [vpgsensors.com](http://vpgsensors.com).

No license, express, implied, or otherwise, to any intellectual property rights is granted by this document, or by any conduct of VPG.

The products shown herein are not designed for use in life-saving or life-sustaining applications unless otherwise expressly indicated. Customers using or selling VPG products not expressly indicated for use in such applications do so entirely at their own risk and agree to fully indemnify VPG for any damages arising or resulting from such use or sale. Please contact authorized VPG personnel to obtain written terms and conditions regarding products designed for such applications.

Product names and markings noted herein may be trademarks of their respective owners.

Copyright Vishay Precision Group, Inc., 2014. All rights reserved.



Meer en Duin 64B  
2163 HC  
The Netherlands

Phone : +31 (0)88-4224440  
Fax : +31 (0)88-4224441  
Email : [info@stekon.nl](mailto:info@stekon.nl)