

Rocker Pin for Weighbridge Truck Scale

FEATURES

- For use on steel or concrete weighbridges
- Above ground or pit mounted
- Stainless steel pin
- Plated steel base
- Simple installation
- Low profile

DESCRIPTION

The 220 Rocker Pin Mount is ideal for use in steel or concrete weighbridge/truckscale applications when used in conjunction with the Model 220 load cell.

It forms a compact assembly which is rugged and tolerant of heavy treatment.

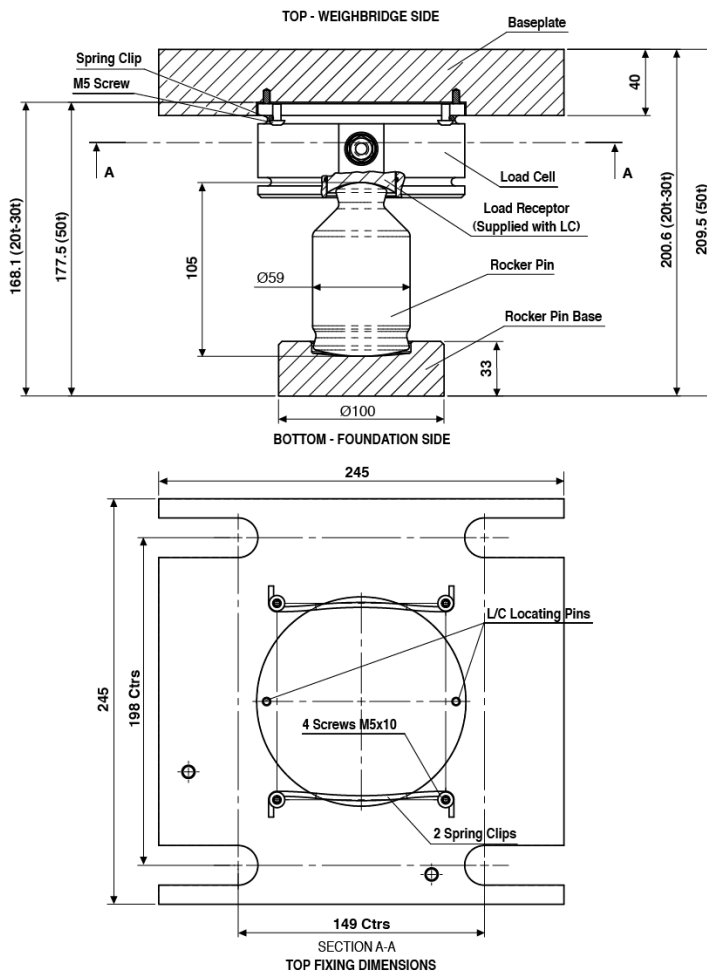
The Rocker Pin Mount assembly allows free motion in any direction in the horizontal plane up to $\pm 6^\circ$.



The self-centering design is tolerant of misalignment and can therefore be used in silo weighing applications.

Complicated arrangements that often accompany conventional installation of load cell mountings are avoided.

OUTLINE DIMENSIONS in millimeters



The mounting kit is designated:

MTS-ROCKER-30T

Comprising rocker pin, rocker pin base. Packed weight: 3.5 kg

The baseplate kit is designated:

MTS-BASEKIT-30T

Comprising baseplate, location pins x 2, spring clips x 2, M5 screws x 4. Packed weight: 18 kg

1. To ensure safe use of the rocker pin mount; restraints must be fitted between the weighbridge deck and foundation.
2. Tedea-Huntleigh cannot accept responsibility for the improper installation of the rocker pin mount.
3. Because of the weight of the base plate and consequent freight costs, customers might wish to machine it locally. Manufacturing details of this simple plate are available free of charge on request.
4. A separate kit of spring clips, location pins, and screws is available (MTS-CLIPKIT-30T). Tedea-Huntleigh provide installation details separately, please refer to Technical Support Document.

Disclaimer

ALL PRODUCTS, PRODUCT SPECIFICATIONS AND DATA ARE SUBJECT TO CHANGE WITHOUT NOTICE.

Vishay Precision Group, Inc., its affiliates, agents, and employees, and all persons acting on its or their behalf (collectively, "VPG"), disclaim any and all liability for any errors, inaccuracies or incompleteness contained herein or in any other disclosure relating to any product.

The product specifications do not expand or otherwise modify VPG's terms and conditions of purchase, including but not limited to, the warranty expressed therein.

VPG makes no warranty, representation or guarantee other than as set forth in the terms and conditions of purchase. **To the maximum extent permitted by applicable law, VPG disclaims (i) any and all liability arising out of the application or use of any product, (ii) any and all liability, including without limitation special, consequential or incidental damages, and (iii) any and all implied warranties, including warranties of fitness for particular purpose, non-infringement and merchantability.**

Information provided in datasheets and/or specifications may vary from actual results in different applications and performance may vary over time. Statements regarding the suitability of products for certain types of applications are based on VPG's knowledge of typical requirements that are often placed on VPG products. It is the customer's responsibility to validate that a particular product with the properties described in the product specification is suitable for use in a particular application. You should ensure you have the current version of the relevant information by contacting VPG prior to performing installation or use of the product, such as on our website at vpgsensors.com.

No license, express, implied, or otherwise, to any intellectual property rights is granted by this document, or by any conduct of VPG.

The products shown herein are not designed for use in life-saving or life-sustaining applications unless otherwise expressly indicated. Customers using or selling VPG products not expressly indicated for use in such applications do so entirely at their own risk and agree to fully indemnify VPG for any damages arising or resulting from such use or sale. Please contact authorized VPG personnel to obtain written terms and conditions regarding products designed for such applications.

Product names and markings noted herein may be trademarks of their respective owners.

Copyright Vishay Precision Group, Inc., 2014. All rights reserved.



Meer en Duin 64B
2163 HC
The Netherlands

Phone : +31 (0)88-4224440
Fax : +31 (0)88-4224441
Email : info@stekon.nl