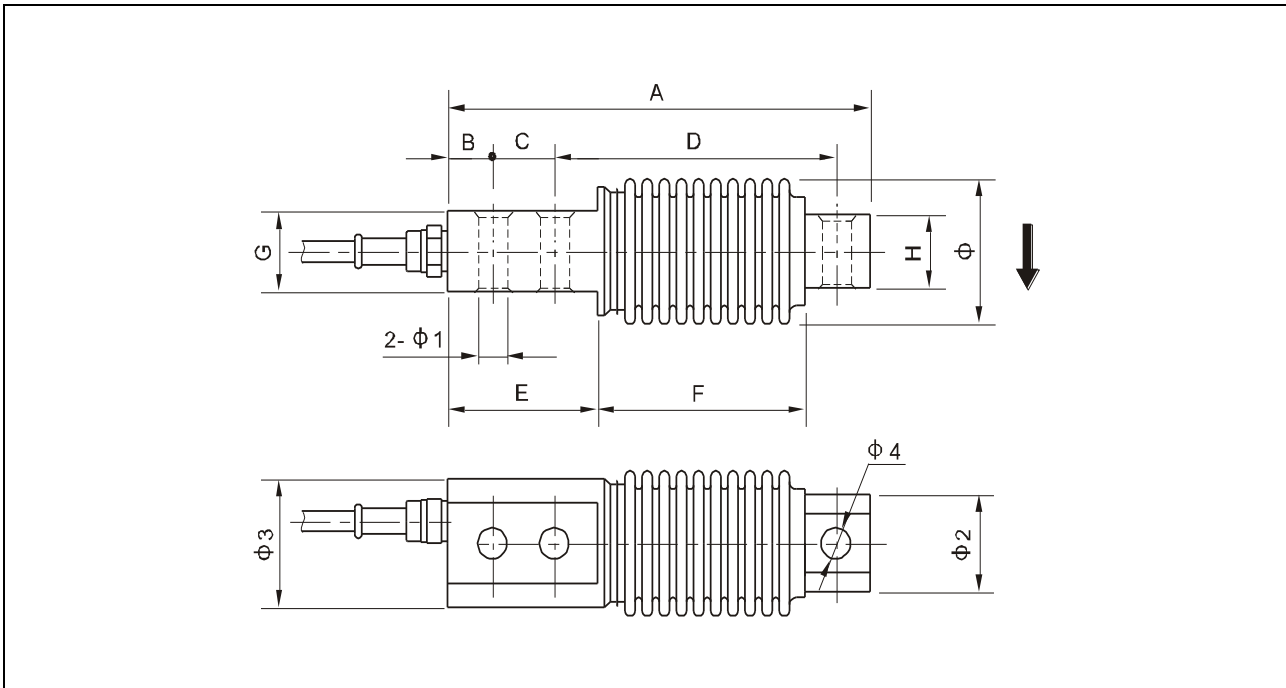


Loadcell

Cantilever beam loadcell, hermetically sealed stainless steel metallic crinkle. Tension and compression; anti-overload, high fatigue resistance and anti-deflective loading. Suitable for electronic belt scale, hopper scale, etc.



**Main dimensions and accessories :**

Capacity kg	Size mm												
	A	B	C	D	E	F	G	H	Φ	Φ1	Φ2	Φ3	Φ4
10-200	123.0	13.0	18.0	82.0	45.0	59.0	22.0	20.0	45.0	8.5	26.0	35.0	8.5
300-1000	210.0	15.0	40.0	133.0	93.0	64.0	34.0	25.0	60.0	13.0	36.0	50.0	14.0

**Specifications :**

Rated output (mV/V)	2 ± 0.010
Nonlinearity	± 0.02% FS
Hysteresis	± 0.02% FS
Repeatability	± 0.01% FS
Creep (30 minutes)	± 0.02% FS
Zero balance	± 1.00% FS
Temperature Effect on Zero	± 0.02% FS/10°C
Temperature Effect on Output	± 0.02% FS/10°C
Input Resistance (Ω)	385 ± 10
Output Resistance (Ω)	350 ± 3
Insulation Resistance	> 5000M Ω
Excitation Voltage	10V (DC/AC)
Compensated Temperature Range	-10°C to +50°C
Operating Temperature Range	-20°C to +60°C
Safe Overload	120% FS
Cable	Φ 5.4 x 5m

Cable color code: Input: Red(+) Black (-); Output: Green(+) White (-)



**STENSOR B.V.**

Meer en Duin 64b - 2163HC Lisse

Phone : +31(0)88 4224420 – Fax : +31(0)88 4224421

www.stensor.com – info@stensor.com