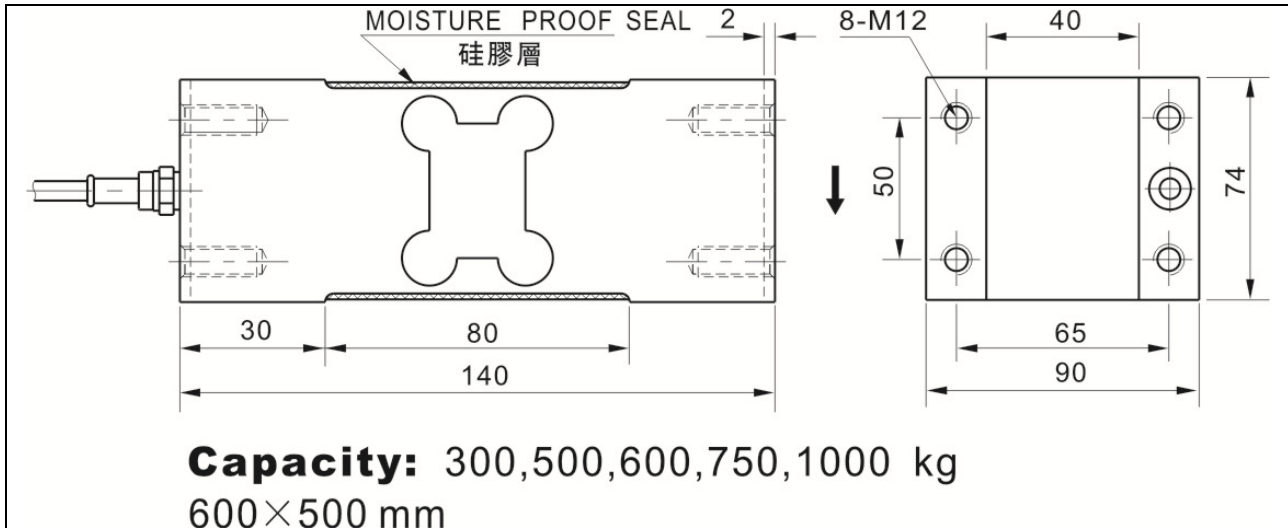


Loadcell

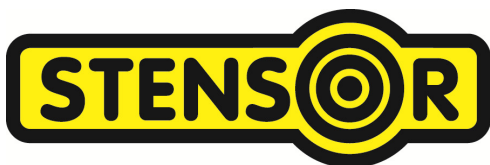
Box type single point loading structure. Corner adjusted before delivery to ensure consistent output in stated load plane. Simple to install, easy to use. Suitable for electronic platform scale, etc.



**Specifications :**

Rated output (mV/V)	2 ± 0.1
Nonlinearity	± 0.02% FS
Hysteresis	± 0.02% FS
Repeatability	± 0.01% FS
Creep (30 minutes)	± 0.02% FS
Zero balance	± 1.00% FS
Temperature Effect on Zero	± 0.02% FS/10°C
Temperature Effect on Output	± 0.02% FS/10°C
Input Resistance (Ω)	410 ± 10
Output Resistance (Ω)	350 ± 3
Insulation Resistance	> 5000M'Ω
Excitation Voltage	10V (DC/AC)
Compensated Temperature Range	-10°C to +50°C
Operating Temperature Range	-20°C to +60°C
Safe Overload	120% FS
Cable	Φ 5.4 x 3m

Cable color code: Input: Red(+) Black (-); Output: Green(+) White (-)



**STENSOR B.V.**

Meer en Duin 64b - 2163HC Lisse  
Phone : +31 (0)88 4224420 – Fax : +31 (0)88 4224421  
www.stensor.com – info@stensor.com