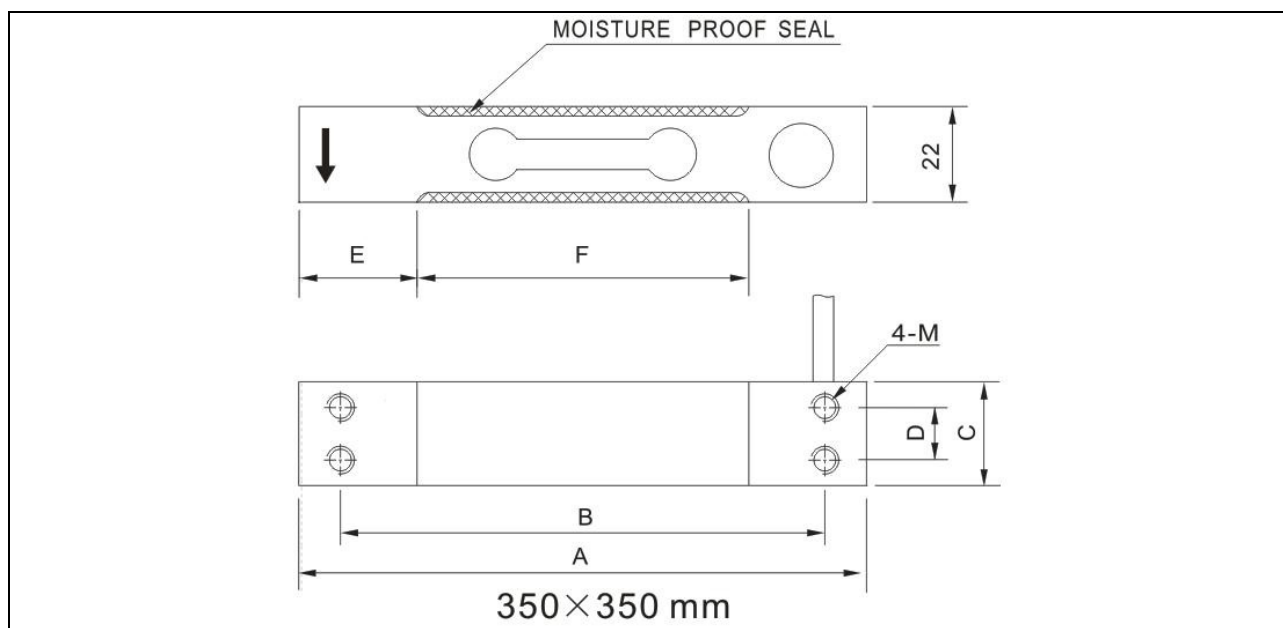


Loadcell

Double holes cantilever beam structure. Temperature compensated and four corners adjusted. Low profile, small size. Suitable for electronic price computing scale, table top scale, platform scale and other small capacity electronic scales.



Mail dimensions and accessories :

Capacity	Size mm						
	A	B	C	D	E	F	M
0.3-0.6	70.0	58.0	15.0	7.0	12.0	40.0	M3
1-3	70.0	58.0	15.0	7.0	12.0	46.0	M3
6-20	130.0	106.0	30.0	15.0	25.0	80.0	M6
25-35	130.0	106.0	40.0	15.0	25.0	80.0	M6
40-200	130.0	106.0	50.0	25.0	25.0	80.0	M6
200-250	130.0	106.0	50.0	25.0	25.0	80.0	M8

Specifications :

Rated output (mV/V)	1 ± 0.1 (0.3-3kg) 2 ± 0.1 (6-250 kg)
Nonlinearity	± 0.02% FS
Hysteresis	± 0.02% FS
Repeatability	± 0.01% FS
Creep (30 minutes)	± 0.02% FS
Zero balance	± 1.00% FS
Temperature Effect on Zero	± 0.02% FS/10°C
Temperature Effect on Output	± 0.02% FS/10°C
Input Resistance (Ω)	410 ± 10
Output Resistance (Ω)	350 ± 3
Insulation Resistance	> 5000M'Ω
Excitation Voltage	10V (DC/AC)
Compensated Temperature Range	-10°C to +50°C
Operating Temperature Range	-20°C to +60°C
Safe Overload	120% FS
Cable	Φ 4 x 0.4(3)m

Cable color code: Input: Red(+) Black (-); Output: Green(+) White (-)



STENSOR B.V.

Meer en Duin 64b - 2163HC Lisse

Phone : +31 (0)88 4224420 – Fax : +31 (0)88 4224421

www.stensor.com – info@stensor.com