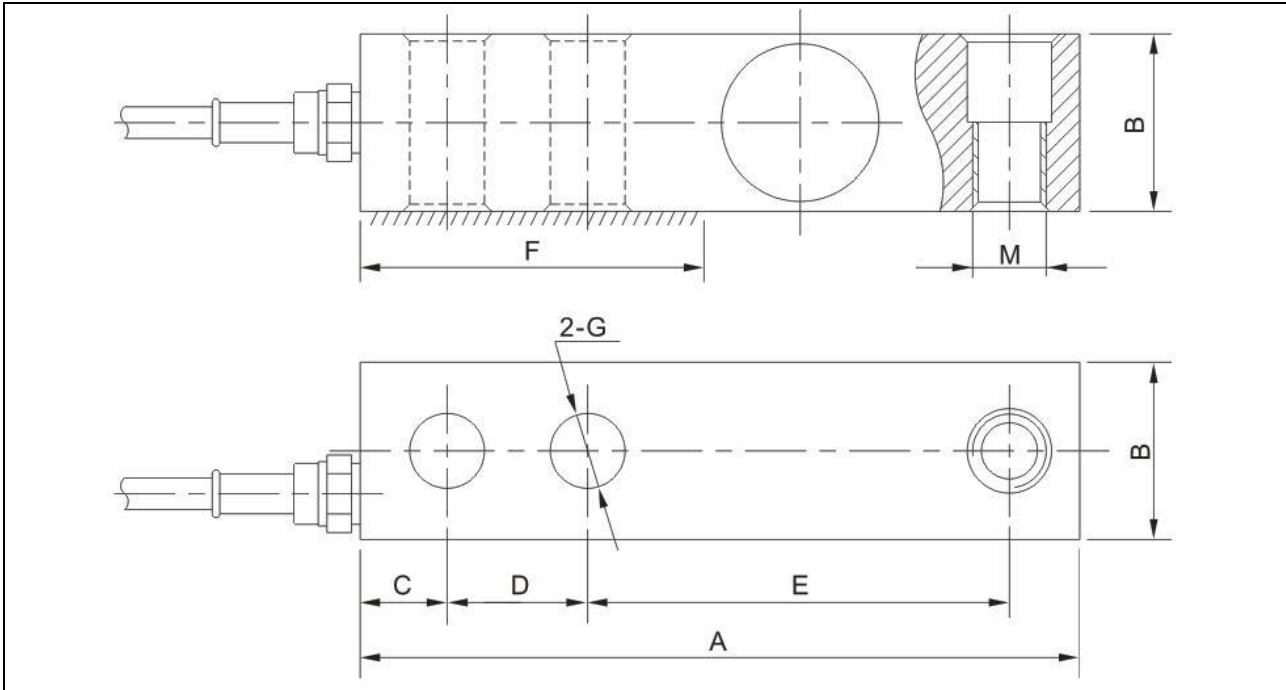




Shear beam loadcell

Shear beam loadcell, one end fixed, diverse loading, and good seal structure. Self-centering, simple to install, easy to use, good interchange ability. Suitable for various ultra thin electronic truck scale, one-track crane scale, hopper scale, etc.



**Main dimensions and accessories :**

Capacity	Size mm								Thread M	
	Klb	A	B	C	D	E	F	G	mm	Inch
0.05-2	0.1-5se	130.0	32.0	15.7	25.4	76.2	57.0	13.5	M12x1.75	1/2-20
2.5-5	5-10	171.5	38.0	19.1	38.1	95.3	76.0	20.0	M18x1.5	3/4-16
7.5-10	15-20	222.5	50.8	25.4	50.8	123.8	102.0	27.0	M24x2	1"-14

**Specifications :**

Rated output (mV/V)	2.00 ± 0.010 3.00 ± 0.010
Nonlinearity	± 0.02% FS
Hysteresis	± 0.02% FS
Repeatability	± 0.01% FS
Creep (30 minutes)	± 0.02% FS
Zero balance	± 1.00% FS
Temperature Effect on Zero	± 0.02% FS/10°C
Temperature Effect on Output	± 0.02% FS/10°C
Input Resistance (Ω)	385 ± 10
Output Resistance (Ω)	350 ± 3
Insulation Resistance	> 5000M'Ω
Excitation Voltage	10V (DC/AC)
Compensated Temperature Range	-10°C to +50°C
Operating Temperature Range	-20°C to +60°C
Safe Overload	120% FS
Cable	Φ 5.4 x 6m(10m)

Cable color code: Input: Red(+) Black (-); Output: Green(+) White (-)



**STENSOR B.V.**

Meer en Duin 64b - 2163 HC Lisse  
 Phone : +31(0)88 4224420 – Fax : +31(0)88 4224421  
 www.stensor.com – info@stensor.com