

# Single-Point Load Cell, Model STSP-1

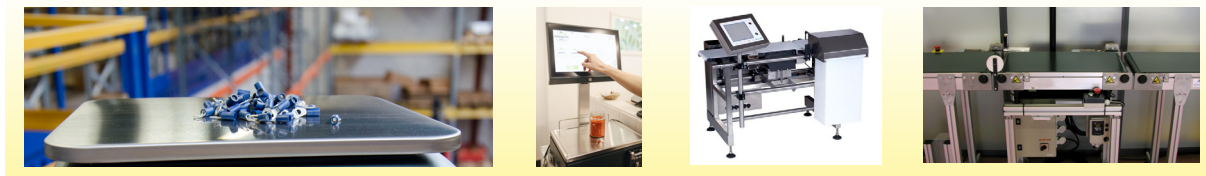
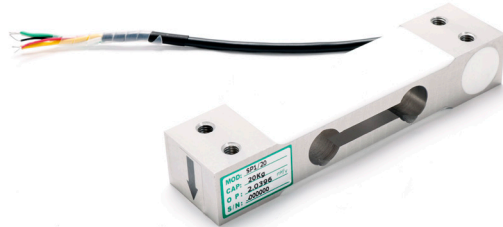
Model STSP-1 is a low profile single-point load cell, designed for direct mounting in low cost weighing platforms. Its small physical size, combined with high accuracy and aluminum construction, makes this load cell ideal for many applications.

## Features:

- Capacities from 0.3 to 250 kg
- Only 22 mm high (23 mm for 25 - 250 kg)
- Platform size max. 350 x 350 mm
- Anodized Aluminium

## Applications:

- Platform scales
- Dosing and filling machines
- Packaging machines
- Checkweighers

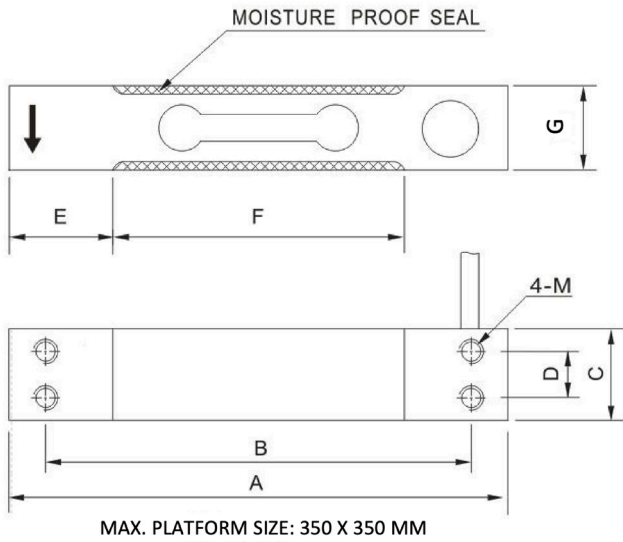


## Specifications

Capacities	0.3 - 250 kg
Rated output (mV/V)	1 ± 0.1 (0.3 - 3kg) 2 ± 0.1 (6 - 250 kg)
Nonlinearity	± 0.02% FS
Hysteresis	± 0.02% FS
Repeatability	± 0.01% FS
Creep (30 minutes)	± 0.02% FS
Zero balance	± 1.00% FS
Temperature Effect on Zero	± 0.02% FS/10°C
Temperature Effect on Output	± 0.02% FS/10°C
Input Resistance (Ω)	410 ± 15
Output Resistance (Ω)	350 ± 3
Insulation Resistance	> 5000M Ω
Recommended excitation Voltage	10V (DC/AC) (max 15V DC/AC)
Compensated Temperature Range	-10°C to +50°C
Operating Temperature Range	-20°C to +60°C
Safe Overload	120% FS
Cable	3 m
Cable Color Code	Input: Red (+) Black (-) Output: Green (+) White (-)
Protection Class	IP-67



# Single-Point Load Cell, model STSP-1



Capacity	Size mm							
	A	B	C	D	E	F	G	M
0.3 - 0.6	70.0	58.0	15.0	7.0	12.0	40.0	22.0	M3
1 - 3	70.0	58.0	15.0	7.0	12.0	46.0	22.0	M3
6 - 20	130.0	106.0	30.0	15.0	25.0	80.0	22.0	M6
25 - 35	130.0	106.0	40.0	15.0	25.0	80.0	23.0	M6
40 - 200	130.0	106.0	50.0	25.0	25.0	80.0	23.0	M6
200 - 250	130.0	106.0	50.0	25.0	25.0	80.0	23.0	M8

