

Shear Beam Load Cell, Model STSB-1

Model STSB-1 is a single-ended shear beam load cell that can be used for various applications such as platform, silo and tank scales. It is highly resistant to side loads and available in alloy and stainless steel, hermetically sealed. Mounting assemblies are also available.



Features:

- Capacities from 250 to 10.000 kg
- Nickel plated alloy steel or stainless steel
- Available with OIML approval (500 to 2.500 kg)



Applications:

- Platform scales
- Silo and tank weighing
- mobile scales
- Packaging, dosing and filling machines

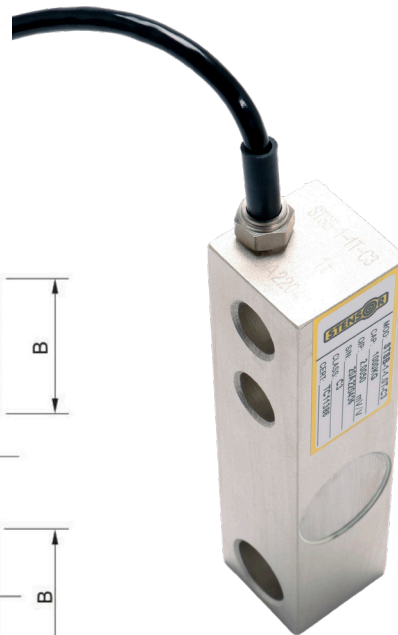
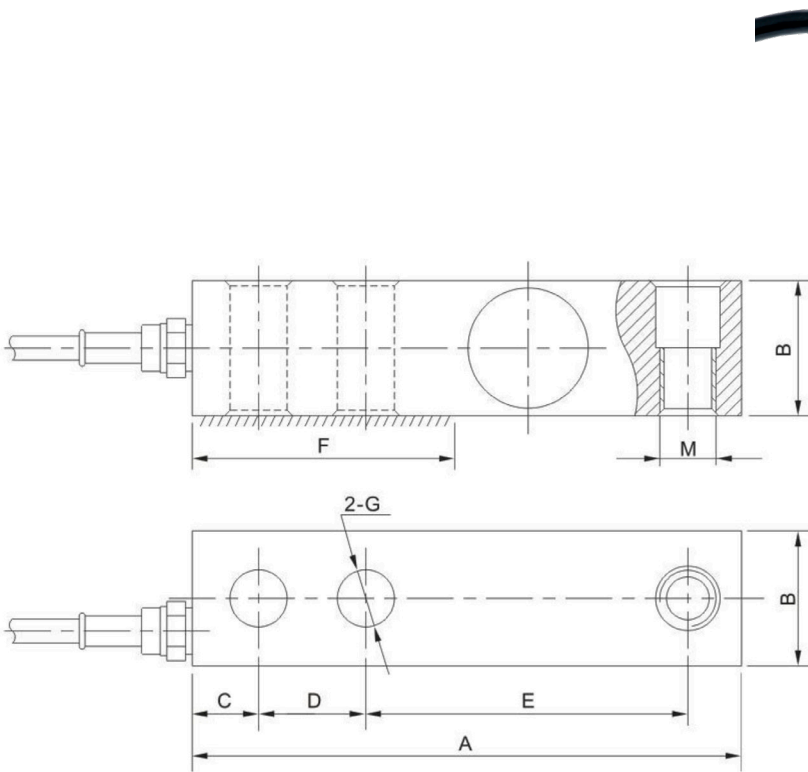


Specifications

Capacities	250 - 10.000 kg
Rated output (mV/V)	2.00 ± 0.010 3.00 ± 0.010
Nonlinearity	± 0.02% FS
Hysteresis	± 0.02% FS
Repeatability	± 0.01% FS
Creep (30 minutes)	± 0.02% FS
Zero balance	± 1.00% FS
Temperature Effect on Zero	± 0.02% FS/10°C
Temperature Effect on Output	± 0.02% FS/10°C
Input Resistance (Ω)	385 ± 10
Output Resistance (Ω)	350 ± 3
Insulation Resistance	> 5000M Ω
Recommended excitation Voltage	10V (DC/AC)
Compensated Temperature Range	-10°C to +50°C
Operating Temperature Range	-20°C to +60°C
Safe Overload	120% FS
Cable	6 m
Cable Color Code	Input: Red (+) Black (-) Output: Green (+) White (-)
Protection Class	IP-67 Alloy Steel / IP-68 Stainless Steel



Shear Beam Load Cell, Model STSB-1



OIML Approved
500 kg to 2.500 kg

Capacity	Size mm							thread
kg	A	B	C	D	E	F	G	M
250-2.000	130.0	32.0	15.7	25.4	76.2	57.0	13.5	M12x1.75
2.500-5000	171.5	38.0	19.1	38.1	95.3	76.0	22.0	M20x1.5
7.500-10.000	222.5	50.8	25.4	50.8	123.8	102.0	27.0	M24x2

Countersink model optional



D A T A S H E E T