

Single-Point Alloy Steel Load Cell

FEATURES

- Capacity: 100 to 1500 kg
- Alloy steel construction
- Single-point 900 × 900mm platform
- IP66 protection
- **Optional**
 - Stainless steel construction



APPLICATIONS

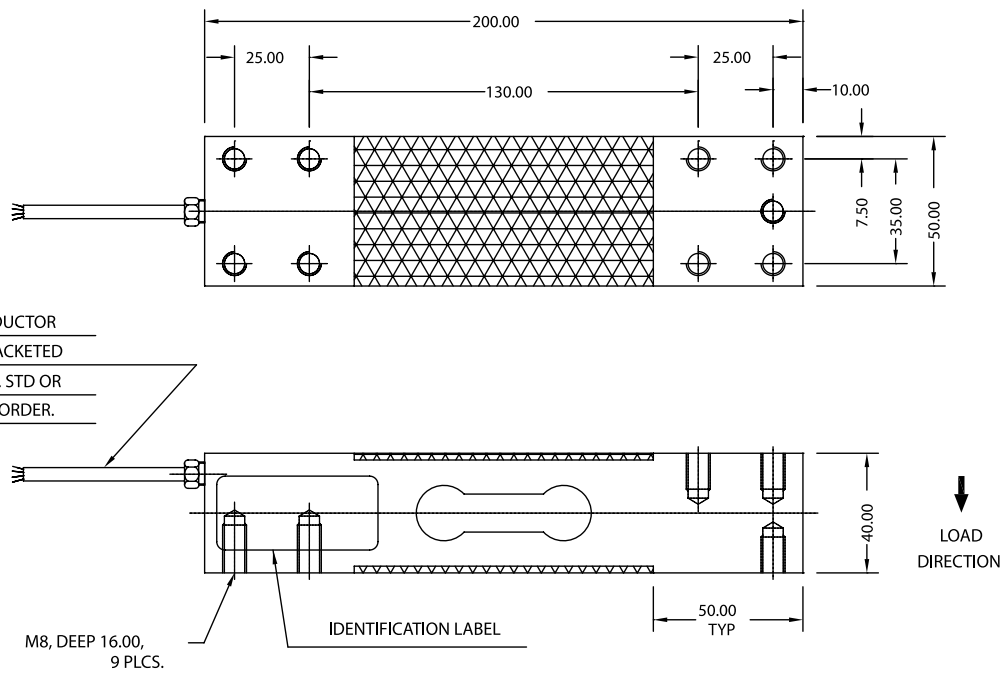
- Large platform scales
- Bench scales
- Counting scales
- Check weighing scales

DESCRIPTION

Model 92001 is an alloy steel single-point load cell designed for direct mounting in large platform scale applications. The cost effective load cell is ideal for use in counting, bench and floor scales.

This model provides scale manufacturers with a high-accuracy low-cost sensor for their most demanding technical requirements.

OUTLINE DIMENSIONS in millimeters



Wiring

+	Excitation	Red
-	Excitation	Black
+	Output	Green
-	Output	White
	Ground	Shield

Single-Point Alloy Steel Load Cell

SPECIFICATIONS		
PARAMETER	VALUE	UNIT
Rated output-R.O.	2.0	mV/V
Rated output tolerance	10	± % FSO
Zero balance	1	± % FSO
Combined error	<0.030	± % FSO
Non-Linearity	<0.025	± % FSO
Hysteresis	<0.020	± % FSO
Non-repeatability	<0.010	± % FSO
Creep error (30 minutes)	<0.025	± % FSO
Temperature effect on zero	<0.002	± %/°C
Temperature effect on output	0.001	± %/°C
Operating temperature range	-20 to +70	°C
Maximum safe central overload	150	% FSO
Ultimate central overload	300	% FSO
Excitation, recommended	10	VDC
Excitation, maximum	15	VDC
Input impedance	360-450	Ω
Output impedance	349-355	Ω
Insulation resistance at 50 VDC	>1000	MΩ
Material	Alloy steel with electroless nickel-plated	
Environmental protection	IP66	
Platform size	Up to 900 × 900	mm

All specifications subject to change without notice.

Disclaimer

ALL PRODUCTS, PRODUCT SPECIFICATIONS AND DATA ARE SUBJECT TO CHANGE WITHOUT NOTICE.

Vishay Precision Group, Inc., its affiliates, agents, and employees, and all persons acting on its or their behalf (collectively, "VPG"), disclaim any and all liability for any errors, inaccuracies or incompleteness contained herein or in any other disclosure relating to any product.

The product specifications do not expand or otherwise modify VPG's terms and conditions of purchase, including but not limited to, the warranty expressed therein.

VPG makes no warranty, representation or guarantee other than as set forth in the terms and conditions of purchase. **To the maximum extent permitted by applicable law, VPG disclaims (i) any and all liability arising out of the application or use of any product, (ii) any and all liability, including without limitation special, consequential or incidental damages, and (iii) any and all implied warranties, including warranties of fitness for particular purpose, non-infringement and merchantability.**

Information provided in datasheets and/or specifications may vary from actual results in different applications and performance may vary over time. Statements regarding the suitability of products for certain types of applications are based on VPG's knowledge of typical requirements that are often placed on VPG products. It is the customer's responsibility to validate that a particular product with the properties described in the product specification is suitable for use in a particular application. You should ensure you have the current version of the relevant information by contacting VPG prior to performing installation or use of the product, such as on our website at vpgsensors.com.

No license, express, implied, or otherwise, to any intellectual property rights is granted by this document, or by any conduct of VPG.

The products shown herein are not designed for use in life-saving or life-sustaining applications unless otherwise expressly indicated. Customers using or selling VPG products not expressly indicated for use in such applications do so entirely at their own risk and agree to fully indemnify VPG for any damages arising or resulting from such use or sale. Please contact authorized VPG personnel to obtain written terms and conditions regarding products designed for such applications.

Product names and markings noted herein may be trademarks of their respective owners.

Copyright Vishay Precision Group, Inc., 2014. All rights reserved.



LOADCELLS | PRESSURE SENSORS | ELECTRONICS
Meer en Duin 64b Phone : +31 (0)88-4224440
2163 HC Lisse Fax : +31 (0)88-4224441
The Netherlands Email : info@stekon.nl