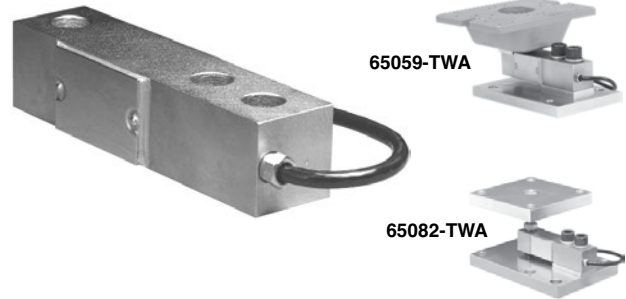


## Shear Beam Load Cell

### FEATURES

- Rated capacities of 250 to 20,000 pounds, 125 to 10,000 kg
- “Thru” or “threaded” load hole configurations
- Low sensitivity to axial loads
- Low profile (ultra low available in 1000 to 2500 pound ranges)
- Sensorgage™ sealed to IP67 standards
- Factory Mutual System Approved for Classes I, II, III; Divisions 1 and 2; Groups A through G. Also, non-incendive ratings (No barriers!).
- Trade certified for NTEP Class III: 5000d, IIII: 10000d and OIML R-60 3000d available
- **Optional**
  - Ex ia IIC T4, Ex ia IIIC T135°C hazardous area approval
  - Stainless steel versions available
  - 65059 TWA companion weighing assemblies available



It has high immunity to shock or side loading and is available in 2 or 3 mV/V sensitivity. Approved to OIML, NTEP standards. For hazardous environments this load cell is available with EEx ia IIC T6 level of European approval.

Nickel plating and full environmental sealing assures long-term reliability. A stainless steel option is available for the lb versions for use in harsh or corrosive environments.

The two additional sense wires feed back the voltage reaching the load cell. Complete compensation of changes in lead resistance due to temperature change and/or cable extension is achieved by feeding this voltage into the appropriate electronics.

### APPLICATIONS

- Floor scales
- Tank weighing
- Bin and hopper weighing

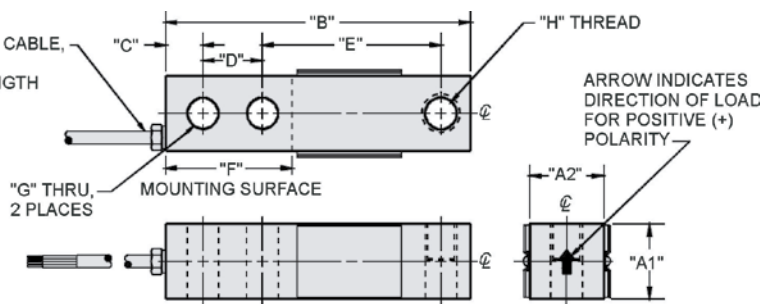
### DESCRIPTION

Model 65023 is a low profile shear beam load cell designed for high accuracy platform scales, pallet scales and process weighing applications.

### OUTLINE DIMENSIONS in inches [millimeters]

4 CONDUCTOR; 22 AWG. CABLE, SHIELDED & JACKETED; 20 FOOT STANDARD LENGTH OR PER SALES ORDER.

Wiring  
 + Excitation Red  
 - Excitation Black  
 + Output Green  
 - Output White



CAPACITY	A1	A2	B	C	D	E	F	G	H	DEFLECTION	WEIGHT
250–500 lbs	1.00	1.25	5.12	0.62	1.00	3.00	2.25	0.53	1/2-20 UNF-2B, Ø0.53 x 0.50 DP C'BORE	0.013	1.7
1–4k	1.25	1.25	5.12	0.62	1.00	3.00	2.25	0.53	1/2-20 UNF-2B, Ø0.53 x 0.62 DP C'BORE	0.017–0.025	4.0
5k–10k	1.50	1.50	6.75	0.75	1.50	3.75	3.00	0.78	3/4-16 UNF-2B, Ø0.78 x 0.75 DP C'BORE	0.025–0.035	6.5
15k–20k	2.00	2.00	8.88	1.00	2.00	4.88	4.00	1.03	1"-14 UNF-2B, Ø1.03 x 1.00 DP C'BORE	0.048–0.063	9.0
[125–250 kg]	[25.0]	[31.0]	[130.0]	[16.0]	[25.0]	[76.0]	[57.0]	[13.0]	M12 x 1.75-6H, Ø13 x 15 DP C'BORE	[0.33]	[0.8]
[500 kg–2 t]	[32.0]	[32.0]	[130.0]	[16.0]	[25.0]	[76.0]	[57.0]	[13.0]	M12 x 1.75-6H, Ø13 x 15 DP C'BORE	[0.432–0.635]	[1.8]
[3 t–5 t]	[38.0]	[38.0]	[171.0]	[19.0]	[38.0]	[95.0]	[76.0]	[20.7]	M20 x 2.5-6H, Ø20.5 x 19 DP C'BORE	[0.635–0.889]	[2.9]
[10 t]	[51.0]	[51.0]	[226.0]	[25.0]	[51.0]	[124.0]	[102.0]	[25.0]	M24 x 2-6H, Ø25.4 x 25 DP C'BORE	[1.219–1.600]	[4.1]

Capacities are in pounds [kg/t]. Deflection is ±10%. Certified drawings are available.

Shear Beam Load Cell

<b>SPECIFICATIONS</b>					
<b>PARAMETER</b>	<b>VALUE</b>				<b>UNIT</b>
<b>Rated capacity—R.C. (E<sub>max</sub>)</b>	250, 500, 1k, 1.5k, 2k, 2.5k, 4k, 5k, 10k, 15k, 20k				lbs
	125, 250, 500, 750, 1000, 2000, 5000, 10,000 <sup>(1)</sup>				kg
<b>NTEP/OIML accuracy class</b>	NTEP III	NTEP IIIIL	Standard	OIML R60	
<b>Maximum no. of intervals (n)</b>	3000 single	10000 multiple		3000 <sup>(1)</sup>	
<b>Y = E<sub>max</sub>/V<sub>min</sub></b>	NTEP Cert. No. 86-044A2			6250	Maximum available
<b>Rated output—R.O.</b>	3.0				mV/V
<b>Rated output tolerance</b>	0.25				±% mV/V
<b>Zero balance</b>	1.0				±% FSO
<b>Combined error</b>	0.02	0.02	0.03	0.02	±% FSO
<b>Non-repeatability</b>	0.01				±% FSO
<b>Creep error (30 minutes)</b>	0.025	0.03	0.03	0.017	±% FSO
<b>Temperature effect on zero</b>	0.0010	0.0010	0.0015	0.0010	±% FSO/°F
<b>Temperature effect on output</b>	0.0008	0.0008	0.0008	0.0007	±% of load/°F
<b>Compensated temperature range</b>	14 to 104 (-10 to 40)				°F (°C)
<b>Operating temperature range</b>	0 to 150 (-18 to 65)				°F (°C)
<b>Storage temperature range</b>	-60 to 185 (-50 to 85)				°F (°C)
<b>Sideload rejection ratio</b>	500:1				
<b>Safe sideload</b>	100				% of R.C.
<b>Maximum safe central overload</b>	150				% of R.C.
<b>Ultimate central overload</b>	300				% of R.C.
<b>Excitation, recommended</b>	10				VDC or VAC RMS
<b>Excitation, maximum</b>	15				VDC or VAC RMS
<b>Input impedance</b>	343–357				Ω
<b>Output impedance</b>	349–355				Ω
<b>Insulation resistance at 50 VDC</b>	>1000				MΩ
<b>Material</b>	Nickel-plated alloy tool steel <sup>(2)</sup>				
<b>Environmental protection</b>	IP67				
<b>Recommended torque</b>	All capacities up to 5000 kg–136.0 5000 kg–205.0				N*m

**Notes**

<sup>(1)</sup> OIML approval 1k–10k lbs and 500–5000 kg only

<sup>(2)</sup> Stainless steel available

FSO—Full Scale Output

All specifications subject to change without notice.

## Disclaimer

ALL PRODUCTS, PRODUCT SPECIFICATIONS AND DATA ARE SUBJECT TO CHANGE WITHOUT NOTICE.

Vishay Precision Group, Inc., its affiliates, agents, and employees, and all persons acting on its or their behalf (collectively, "VPG"), disclaim any and all liability for any errors, inaccuracies or incompleteness contained herein or in any other disclosure relating to any product.

The product specifications do not expand or otherwise modify VPG's terms and conditions of purchase, including but not limited to, the warranty expressed therein.

VPG makes no warranty, representation or guarantee other than as set forth in the terms and conditions of purchase. **To the maximum extent permitted by applicable law, VPG disclaims (i) any and all liability arising out of the application or use of any product, (ii) any and all liability, including without limitation special, consequential or incidental damages, and (iii) any and all implied warranties, including warranties of fitness for particular purpose, non-infringement and merchantability.**

Information provided in datasheets and/or specifications may vary from actual results in different applications and performance may vary over time. Statements regarding the suitability of products for certain types of applications are based on VPG's knowledge of typical requirements that are often placed on VPG products. It is the customer's responsibility to validate that a particular product with the properties described in the product specification is suitable for use in a particular application. You should ensure you have the current version of the relevant information by contacting VPG prior to performing installation or use of the product, such as on our website at [vpgsensors.com](http://vpgsensors.com).

No license, express, implied, or otherwise, to any intellectual property rights is granted by this document, or by any conduct of VPG.

The products shown herein are not designed for use in life-saving or life-sustaining applications unless otherwise expressly indicated. Customers using or selling VPG products not expressly indicated for use in such applications do so entirely at their own risk and agree to fully indemnify VPG for any damages arising or resulting from such use or sale. Please contact authorized VPG personnel to obtain written terms and conditions regarding products designed for such applications.

Product names and markings noted herein may be trademarks of their respective owners.

Copyright Vishay Precision Group, Inc., 2014. All rights reserved.



LOADCELLS | PRESSURE SENSORS | ELECTRONICS  
Meer en Duin 64b Phone : +31 (0)88-4224440  
2163 HC Lisse Fax : +31 (0)88-4224441  
The Netherlands Email : [info@stekon.nl](mailto:info@stekon.nl)